

THETFORD CASSETTE

THIS OWNERS MANUAL CONTAINS THE
INSTRUCTIONS FOR USE OF THE CASSETTE C4

DIESE GEBRAUCHSANWEISUNG GILT FÜR DIE
CASSETTE C4

CETTE NOTICE COMPREND LES
INSTRUCTIONS D'UTILISATION DE LA
CASSETTE C4

DEZE GEBRUIKSAANWIJZING BEVAT DE
INSTRUCTIE VOOR GEBRUIK VAN
DE CASSETTE C4

DENNA BRUKSANVISNING INNEHÅLLER
ANVISNINGAR FÖR ANVÄNDNINGEN AV
CASSETTE C4

QUESTO MANUALE PER L'UTENTE CONTIENE
LE ISTRUZIONI PER L'USO DELLA CASSETTE C4

ESTE MANUAL DEL PROPIETARIO CONTIENE
LAS INSTRUCCIONES PARA EL USO DEL
CASSETTE C4

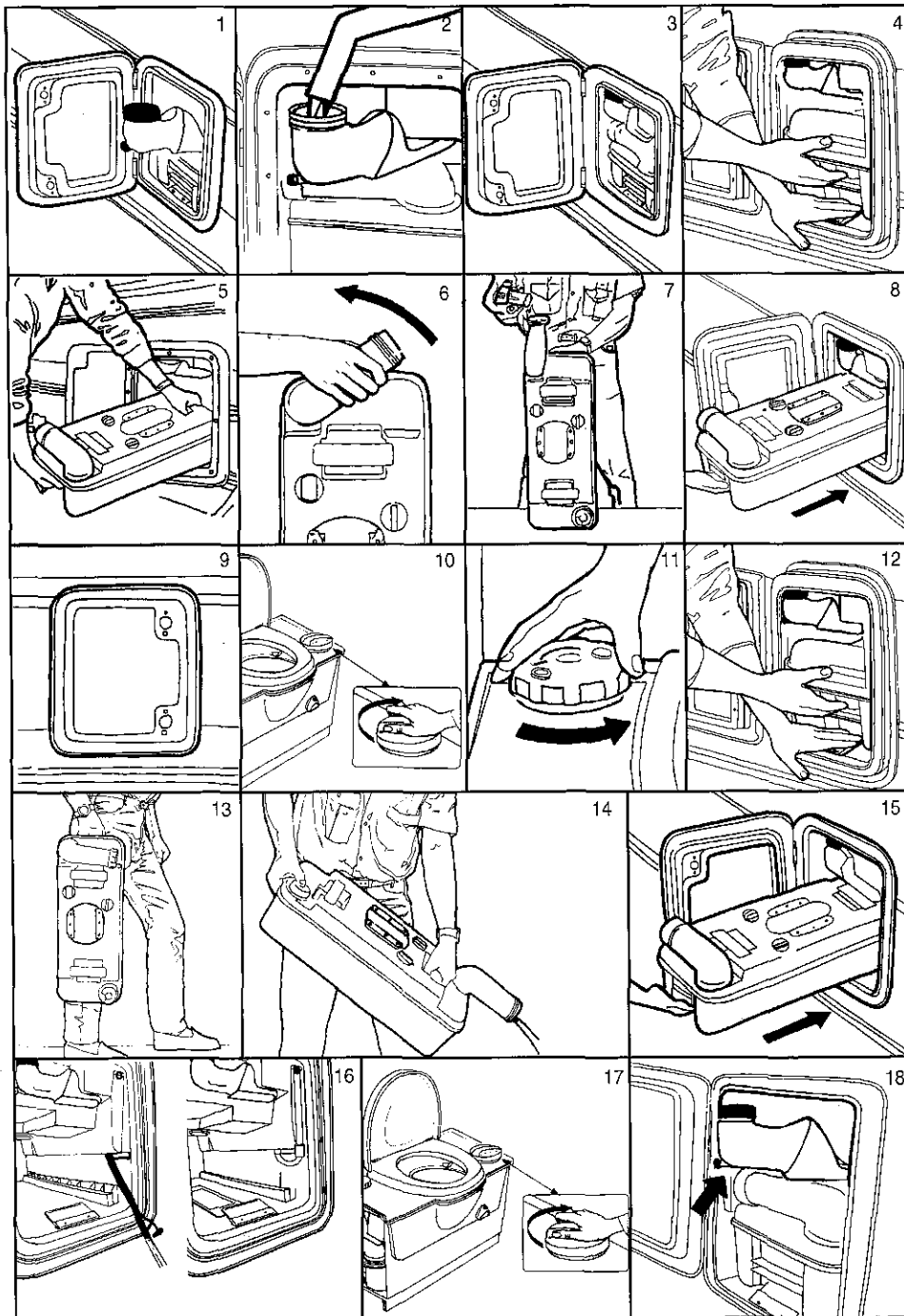
ESTE MANUAL DO PROPRIETÁRIO CONTÉM AS
INSTRUÇÕES DE UTILIZAÇÃO DA CASSETTE C4

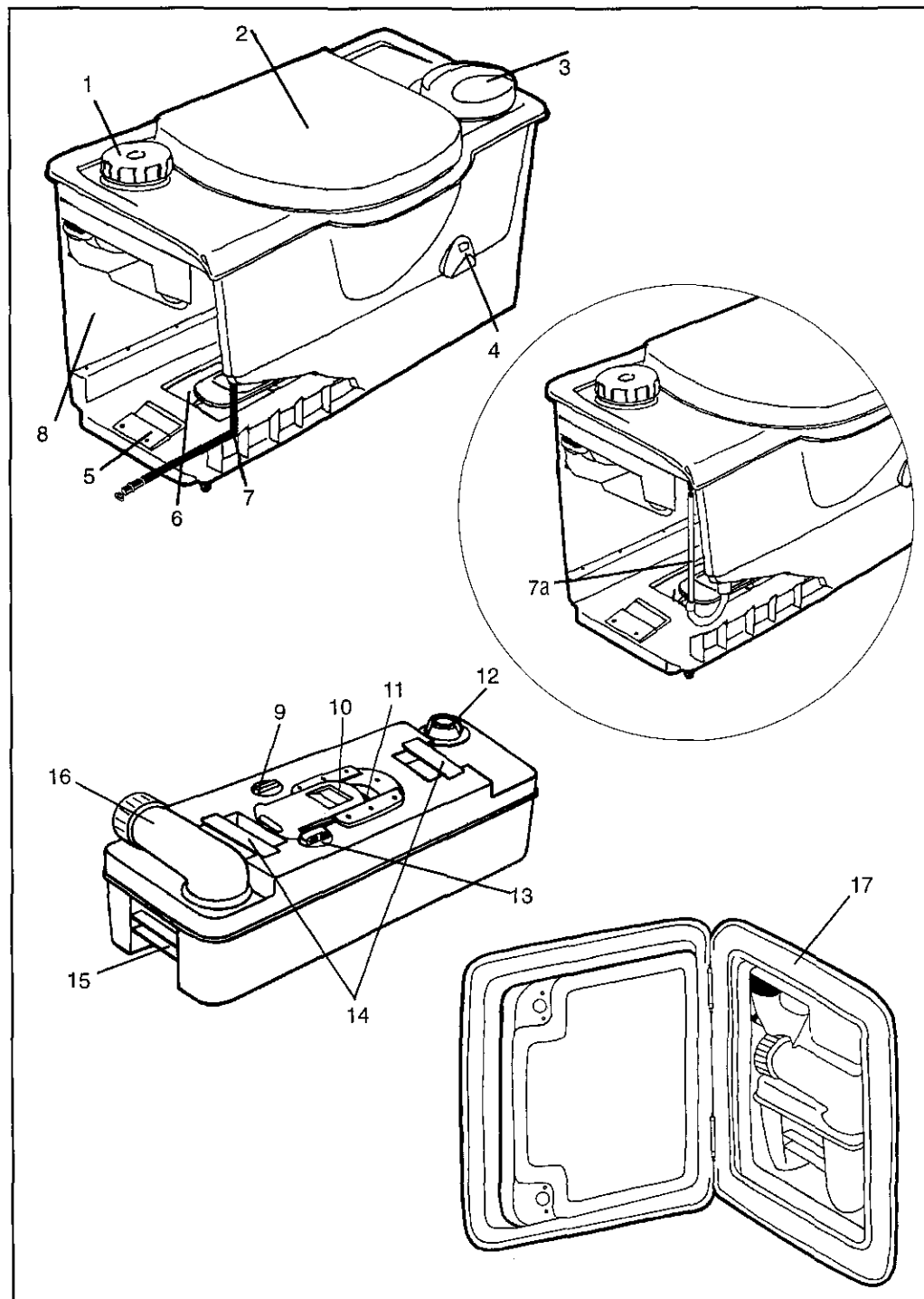
DENNE BRUGSANVISNING INDEHOLDER
INSTRUKTIONER I BRUGEN AF TOILET C4

DENNE BRUKSANVISNINGEN GJELDER
CASSETTE C4

TÄMÄ KÄYTTÖOHJE KOSKEE MALLIA
CASSETTE C4

TA, LASTNIKOM NAMENJENI PRIROČNIK,
VSEBUJE NAVODILA ZA UPORABO STRANIŠČA
CASSETTE C4





FEATURES

1. Valve blade opener knob, opens and closes valve blade.
2. Removable seat and cover.
3. Flush knob, adds water to the bowl.
4. Waste level indicator, indicates when holding tank requires emptying.
5. Waste holding tank retainer clip, holds holding tank in locked position.
6. Toilet fluid storage compartment (only high models).
7. Draintube assembly.
- 7a. Draintube assembly, also level indicator for the fresh watertank
8. Waterfill funnel, swings out for easy filling of the fresh water tank.
9. Valve blade opener.
10. Sliding cover, opens and closes the holding tank in and out. Guarantees optimal hygiene.
11. Valve blade / blade seal.
12. Air release valve, ensures smooth emptying without splashing.
13. Automatic holding tank vent, vents the holding tank when the tank is inserted in the toilet. This prevents overpressure in the holding tank.
14. Upper carrying handles, makes carrying and emptying easy.
15. Hand grip.
16. Rotating pour-out spout, makes emptying waste holding tank easy and convenient
17. Access door, locks from outside the caravan.

MERKMALE

1. Knopf für Schieberbetätigung.
2. Herausnehmbarer Toilettensitz und -deckel.
3. Knopf für Spülung.
4. Füllstandsanzeige: Zeigt an, wann der Abfalltank entleert werden muß.
5. Abfalltank - Halteklammer.
6. Aufbewahrungsfächer für sanitäre Flüssigkeiten. (Nur beim hohen Modell).
7. Abfaßschlauch für Frischwassertank.
- 7a. Abfaßschlauch für Frischwassertank - gleichzeitig Füllstandsanzeige für Frischwassertank.
8. Frischwasser - Einfüllstutzen - ausschwenkbar für leichtes Befüllen des Frischwassertanks.
9. Schieberbetätigung am Abfalltank.
10. Abdeckplatte: Öffnet und schließt sich automatisch, wenn der Abfalltank herausgenommen bzw. hineingeschoben wird. Garantiert optimale Hygiene.
11. Schieber/Schieberverschluss
12. Belüftungsventil - für problemloses und spritzfreies Entleeren des Abfalltanks.
13. Automatische Belüftung: Damit wird ein Über- oder Unterdruck im Abfalltank verhindert, wenn die in das Toilettelement geschoben ist.
14. Oberer Tragegriff - für bequemes Tragen und leichtes Entleeren des Abfalltanks.
15. Unterer Tragegriff.
16. Ausschwenkbarer Entleerungsstutzen für leichtes und bequemes Entleeren des Abfalltanks.
17. Serviceklappe - abschließbar von der Außenseite des Caravans.

INTRODUCTION

By buying a Thetford Cassette you can be sure you have bought a Thetford quality product. The Thetford Cassette design is functional and incorporates modern sculpture styling with home-like features making it aesthetically compatible with the caravan bathroom decor. The unit is an integral part of the caravan bathroom.

The Cassette is constructed of high quality plastics for durability and has a high gloss finish that is easy to clean and maintain. The unit consists of two sections, a permanently installed toilet system and a slide out waste holding tank.

The toilet section includes a seat and cover, valve blade opener knob, flush knob, waste level indicator, built-in fluid storage compartment, a drain tube and a fresh water tank.

The unique waste holding tank section is located underneath the toilet and is removed for emptying from outside the caravan through an access door. A rotating pour-out spout, automatic holding tank vent, air release valve blade, sliding cover, carrying handles and hand grips are incorporated into the Cassette.

The Thetford Cassette is a unique solution to a caravan's sanitary problem.

PREPARING FOR USE

1. Open access door on the side of the caravan and swing out fresh waterfill funnel.
2. Add given amount of Aqua Rinse through the waterfill funnel, which results in a better flush and improves the hygiene of the toilet. Then fill the watertank with fresh water using a hose or jerrycan until water funnel level reaches neck. Tank capacity is 15 litres.
3. Replace cap. Swing waterfill funnel inward until it touches side of water tank. **NOTE:** 150 ml. of water will remain in fill bottle when fresh water tank is empty.
4. Remove the waste holding tank by pressing the retaining clip down.
5. Remove waste holding tank by pulling straight out. When cassette hits stop, tilt downward slightly and remove (stop for safety when cassette is full).
6. Position tank vertically and swivel pour-out spout upward.
7. Remove dosage cap from the pour-out spout and add required amount of Thetford toilet fluid in the dosage cup (fig. 7). Add approx. 2 litres of water through spout to cover holding tank bottom. Replace cap on pour-out spout. Note: The cap of the pour-out spout is packed

together with the instructions for use. **CAUTION:** Never add toilet fluid through the valve blade or the toilet bowl.

8. Slide the waste holding tank, pour-out spout facing outside, into the caravan through access door. Be aware that sliding cover is placed correctly, the two arrows on top have to be pointing towards each other.
9. Make sure that the waste holding tank is locked with the retainer clip.

OPERATION

Flushing

10. Add water to the bowl by turning the flush knob in clockwise direction. When flush knob is released it will automatically turn back.
11. To flush after use, turn the valve knob in anti-clockwise direction and turn the flush knob. This procedure results in the best bowl rinse and most efficient use of water. After flushing, turn the knob in a clockwise direction to close valve blade. The toilet can also be used with the valve blade open, which allows the waste to go directly into the holding tank.

EMPTYING THE WASTE HOLDING TANK

The waste holding tank capacity is 20 litres and should be emptied when the waste level indicator goes from green to full red. The gauge does not begin to move from green to full red until tank is over $\frac{3}{4}$ full.

CAUTION: Do not allow waste holding tank to become overfilled, see trouble shooting section for emergency emptying procedure. To empty waste holding tank be sure that valve blade is in closed position.

12. Open the access door on the outside of the caravan and remove the waste holding tank by pressing the retaining clip.
13. Carry the waste holding tank using the lower carrying handle, pour-out spout up, to a normal household type toilet or other authorised disposal point. Set the waste holding tank in vertical position on the ground and rotate pour-out spout upward.
14. Remove spout cap. Grasp unit by upper carrying handle nearest to pour-out spout. Place the other hand on upper rear grip so that the air relief valve button can be depressed with thumb while emptying, to ensure smooth outflow of tank contents. When empty, remove the sliding cover manually by sliding it towards the pour-out spout, rinse tank and valve blade area with water. **NOTE:** Depress air release valve button only when pour out spout is pointed downwards.

15. If necessary make toilet ready for use (see nr. 1 up to nr. 7). Slide the waste holding tank into the toilet and lock the access door.

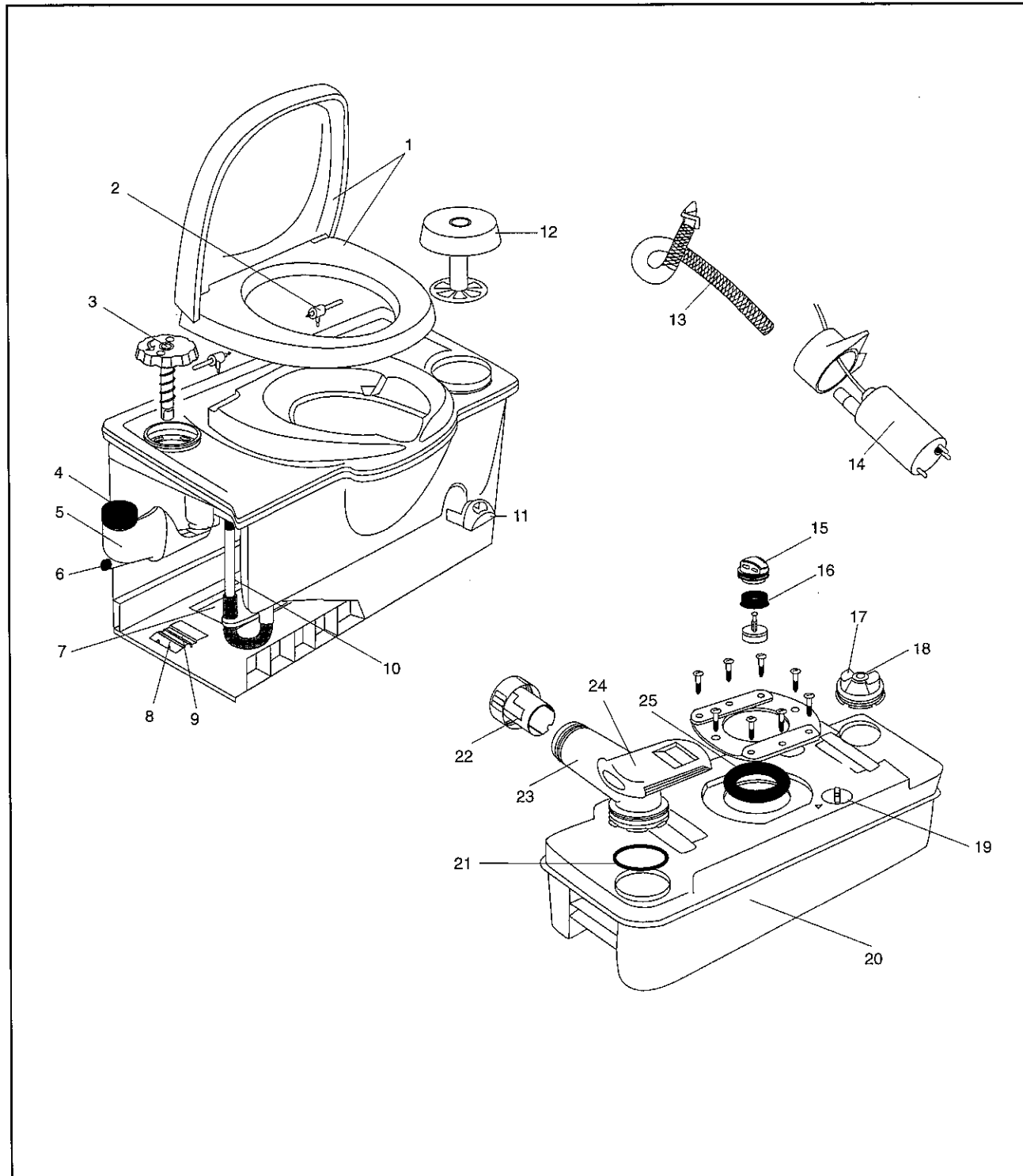
WINTERISING / STORAGE

The Thetford Cassette is easily winterised for storage or cold weather use.

16. Empty the fresh water tank using the drain tube. Position drain tube outward through door opening. Pull off the plug and drain water from tank. Pull level indicator-drain tube down from top plug position outward through door opening to drain water from tank.
17. Flush a few times by turning the flush knob to drain the pump assembly. **Notice:** Waste holding tank has to be in. Empty the waste holding tank afterwards.
18. Empty the waterfill funnel by pulling the bottle away from tank. Remove small water cap at fill bottom, allowing water to drain from water funnel. **Note:** Do not tighten caps, this helps in keeping unit dry.

Cold weather use

The cassette can be used during cold weather when the caravan or motorhome is heated. When the vehicle is not heated for more than a day (or a night) winterise the cassette (16 + 17).

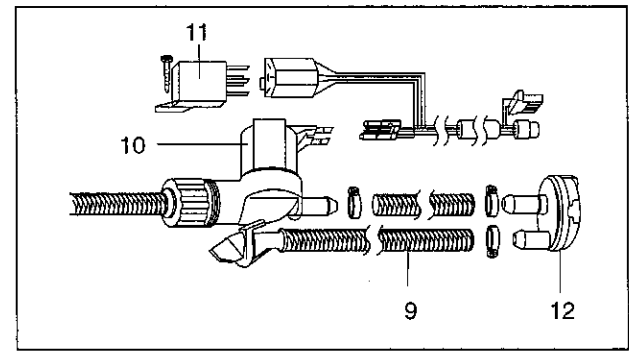
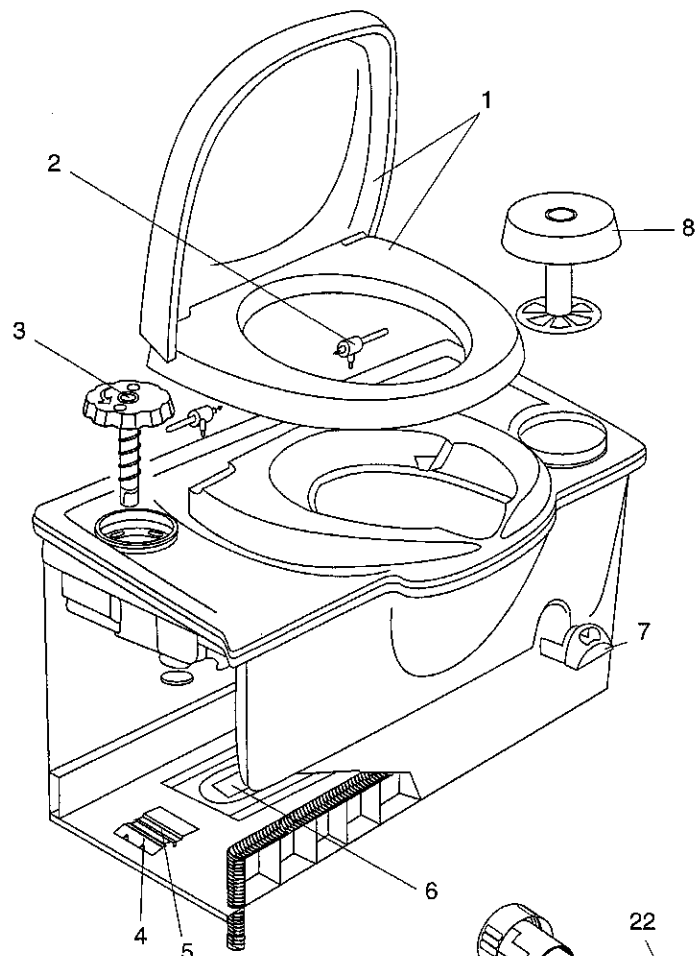


EXPLODED VIEW C2

Partno.	Description	Colour
1.	16194 Seat & cover	10/62/70
2.	16183 Hinge post/pin	10/62/70
3.	16377 Flush knob	10/62/70
4.	16848 Cap waterfill funnel	78
5.	16381 Waterfill funnel complete	74
6.	16385 Draincap waterfill funnel	78
7.	16166 Drip tray	10/78
8.	16350 Clip & clip retainer	10/78
9.	16169 Spring clip retainer	
10.	16387 Sight glass	
11.	16171 Level indicator	10/62/70
12.	16184 Tissue holder	10/62/70
13.	16378 Flush tube	10/62
14.	16374 Pump	
15.	23722 Automatic vent	74
16.	21528 Seal automatic vent	
17.	16176 Ventplug	10/74
18.	07524 Vent button	62/78
19.	21458 Blade opener	74
(toilets produced until May 2000)		
20.	21401 Holdingtank complete RH	74
	21402 Holdingtank complete LH	74
21.	16195 Cap & spout seal	
22.	25810 Measuring cup	78
23.	16196 Pour out spout	74
24.	21333 Sliding cover	74
25.	16175 Lipseal	
(toilets produced until May 2000)		
	23721 Lipseal	
(toilets produced as from June 2000)		

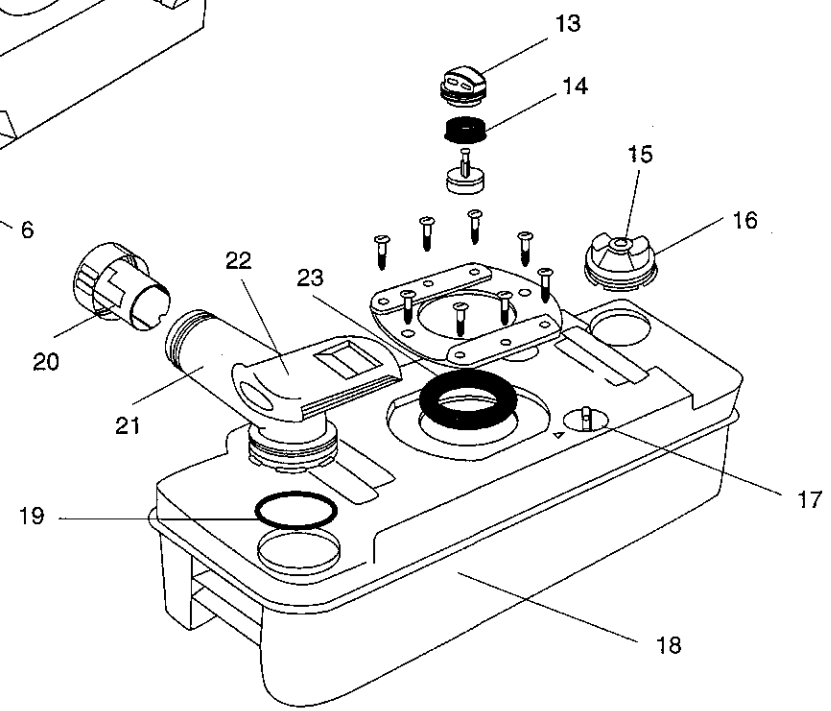
EXPLODED VIEW C2 North American version

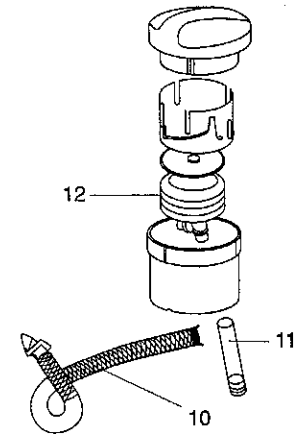
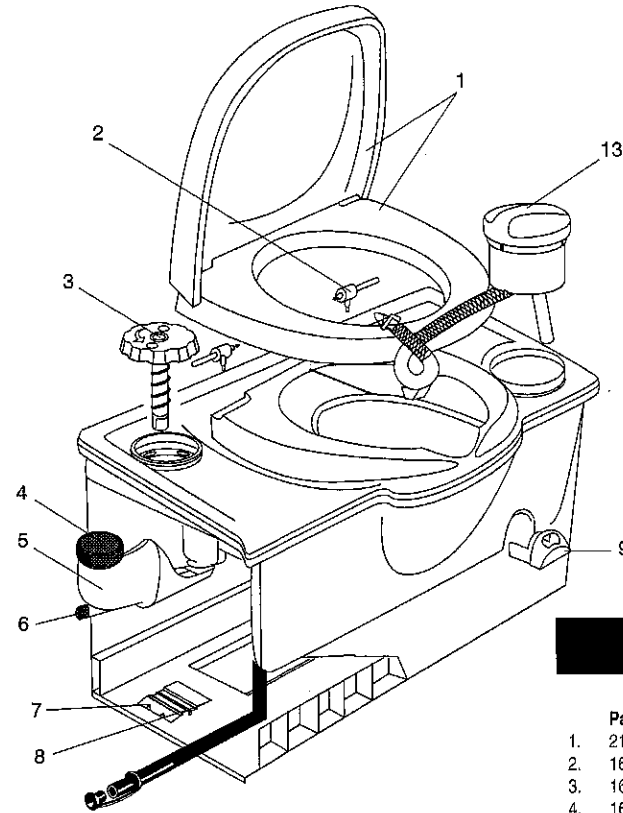
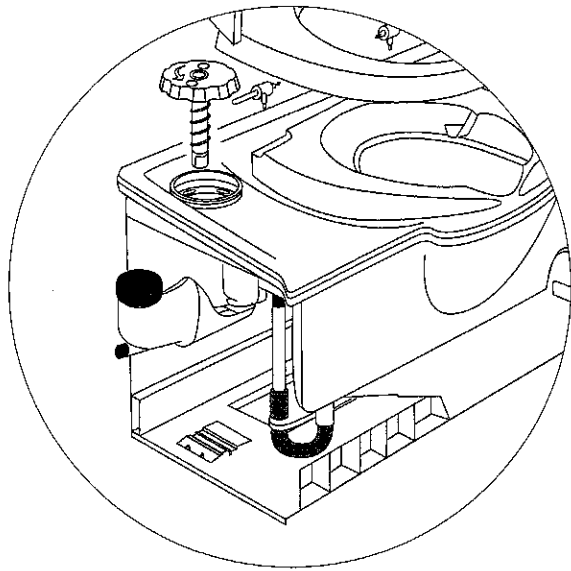
Partno.	Description	Colour
1.	16194 Seat & cover	10/62
2.	16183 Hinge post/pin	10/62
3.	16377 Flush knob	10/62
4.	16848 Cap waterfill funnel	78
5.	16381 Waterfill funnel complete	74
6.	16385 Draincap waterfill funnel	78
7.	16166 Drip tray	10/78
8.	16350 Clip & clip retainer	10/78
9.	16169 Spring clip retainer	
10.	16387 Sight glass	
11.	16171 Level indicator	10/62
12.	16184 Tissue holder	10/62
13.	16378 Flush tube	10/62
14.	16374 Pump	
15.	23722 Automatic vent	74
16.	21528 Seal automatic vent	
17.	16176 Ventplug	10/74
18.	07524 Vent button	62/78
19.	21458 Blade opener	74
(toilets produced until May 2000)		
20.	21401 Holdingtank complete RH	74
	21402 Holdingtank complete LH	74
21.	16195 Cap & spout seal	
22.	25810 Measuring cup	78
23.	16196 Pour out spout	74
24.	21333 Sliding cover	74
25.	16175 Lipseal	
(toilets produced until May 2000)		
	23721 Lipseal	
(toilets produced as from June 2000)		



EXPLODED VIEW C3

Partno.	Description	Colour
1.	16194 Seat & cover	10/62/70
2.	16183 Hinge post / pin	10/62/70
3.	16377 Flush knob	10/62/70
4.	16350 Clip & clip retainer	10/78
5.	16169 Spring clip retainer	
6.	16166 Drip tray	10/78
7.	16171 Level indicator	10/62/70
8.	16184 Tissue holder	10/62/70
9.	20103 Flush tube	10/62
10.	20104 Electric valve	
11.	20106 Relais	
12.	16833 Vacuum breaker	
13.	23722 Automatic vent	74
14.	21528 Seal automatic vent	
15.	07524 Vent button	62/78
16.	16176 Vent plug	10/74
17.	21458 Blade opener	74
(toilets produced untill May 2000)		
18.	21401 Holding tank complete RH	74
	21402 Holding tank complete LH	74
19.	16195 Cap & spout seal	
20.	25810 Measuring cup	78
21.	16196 Pour out spout	74
22.	21333 Sliding cover	74
23.	16175 Lipseal	
(toilets produced untill May 2000)		
	23721 Lipseal	
(toilets produced as from June 2000)		





EXPLODED VIEW C4

Partno.	Description	Colour
1.	21153 Seat & cover	10/62
2.	16183 Hinge post / pin	10/62
3.	16377 Flush knob	10/62
4.	16848 Cap waterfill funnel	78
5.	16381 Waterfill funnel complete	74
6.	16385 Draincap waterfill funnel	78
7.	16350 Clip & clip retainer	10/78
8.	16169 Spring clip retainer	
9.	16171 Level indicator	10/62
10.	20292 Flush tube	10/62
11.	21066 Inlet tube	
12.	21065 Bellows	
13.	20291 Flush mechanism complete	10/62
14.	23722 Automatic vent	74
15.	21528 Seal automatic vent	
16.	07524 Vent button	62/78
17.	16176 Ventplug	10/74
18.	21458 Blade opener	74
(toilets produced untill May 2000)		
19.	21401 Holding tank complete RH	74
	21402 Holding tank complete LH	74
20.	16195 Cap & spout seal	
21.	25810 Measuring cup	78
22.	16196 Pour out spout	74
23.	21333 Sliding cover	74
24.	16175 Lipseal	
(toilets produced untill May 2000)		
	23721 Lipseal	
(toilets produced as from June 2000)		